

FREEMAN-FRITTS PET BEDS SEWING INSTRUCTIONS

There are 3 sizes of pet beds:

- Small – 15" x 20"
- Medium – 20" x 30"
- Large – 24" x 36"

Use good quality fabric because these will be washed often. Tops are made with 100% cotton. Use denim, calicos, batiks, etc. Backing fabric is polyester fleece. Minky is very soft but I found it way too stretchy. Batting is 1" thick upholstery wrap. It comes on a big roll and you can buy it at Hometown Crafts. It's 28" wide and costs about \$2.50/yd.

Prewash all fabrics. No need to prewash batting.

Use ½" seam allowances. Use polyester thread.

SMALL: Cut cotton fabric top and fleece backing fabric @ 16" x 21".

Cut upholstery wrap @ 15" x 20".

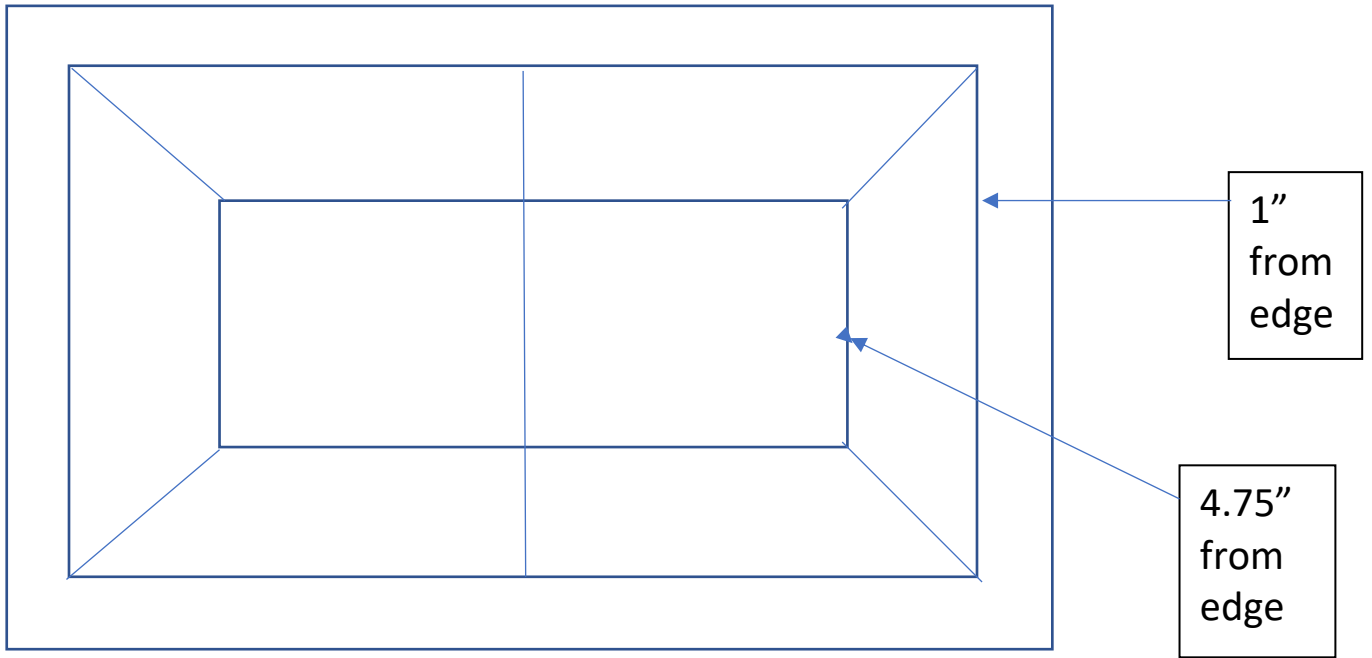
MEDIUM: Cut cotton fabric top and fleece backing fabric @ 21" x 31".

Cut upholstery wrap @ 20" x 30".

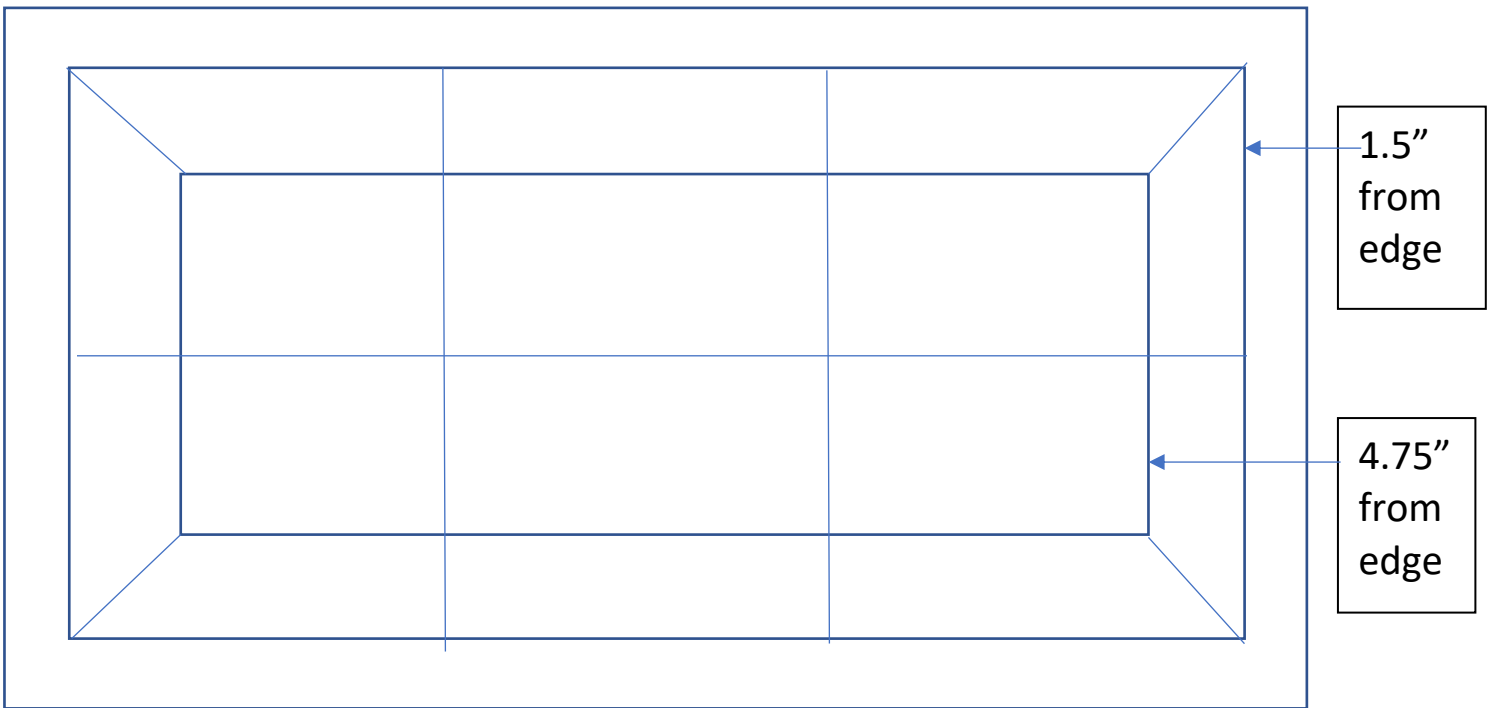
LARGE: Cut cotton fabric top and fleece backing fabric @ 25" X 37".

Cut upholstery wrap @ 24" X 36".

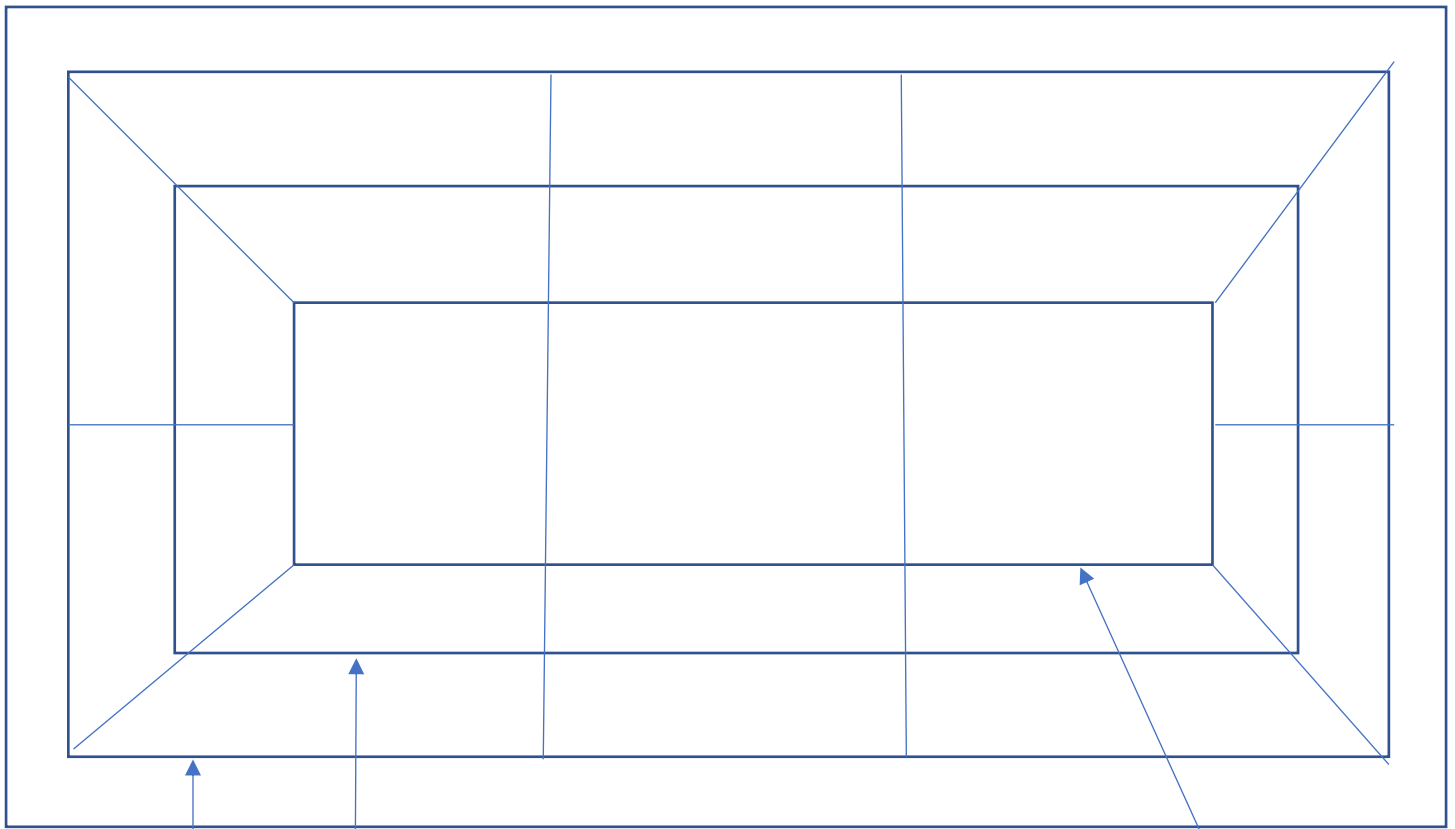
1. With right sides together, sew top to backing fabric using 1/2" seam allowances. Leave an opening on one side large enough to insert upholstery wrap.
2. Turn right side out and press using poly setting on iron. You now have a pet bed "envelope".
3. Insert upholstery wrap into the envelope, making sure it goes into each corner and is even side to side.
4. Using quilting safety pins, pin through all layers to prevent shifting while machine quilting the pet bed. Use regular straight pins to close the opening in the envelope.
5. First, sew the envelope shut, then quilt following the quilting diagrams.



Small Pet Bed quilting diagram



Medium Pet Bed quilting diagram



1.5 inches
from edge

Large Pet Bed quilting diagram

4.75"
from edge

8.75"
from edge